

WEIGHT ONLY OR
PRICE COMPUTING SCALE

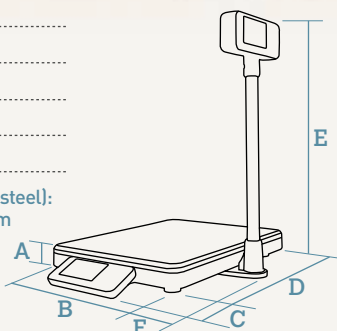
CHECKOUT APPLICATION

DPOS-400 series

Dimensions
DATA IN mm

A	50
B	275
C	65
D	345
E	420
F	45

Plate (stainless steel):
L300 x W230 mm



LCD
GRAPHIC
DISPLAY



RS-232



USB



METROLOGICAL
VERIFICATION
OPTIONAL (EU)

Models

Flat Format

	Vendor Display	Buyer Display	Communication protocols	Power through a USB	Capacity / Accuracy	Reference
DPOS-400 F - 1 DISP.	LCD Graphic	-	60, upgradeable	Mains / Others	6 kg / 2 g - 15 kg / 5 g	7POS00LNE __
DPOS-400 F - 2 DISP.	LCD Graphic	LCD Graphic	60, upgradeable	Mains / Others	6 kg / 2 g - 15 kg / 5 g	7POSPP0LNE __

Pole Format

	Vendor Display	Buyer Display	Communication protocols	Power through a USB	Capacity / Accuracy	Reference
DPOS-400 P - 1 DISP.	LCD Graphic	-	60, upgradeable	Mains / Others	6 kg / 2 g - 15 kg / 5 g	7POST00LNE __
DPOS-400 P - 2 DISP.	LCD Graphic	LCD Graphic	60, upgradeable	Mains / Others	6 kg / 2 g - 15 kg / 5 g	7POSTT0LNE __
DPOS-400 P - 2 DISP. <i>(1 in base and 1 in pole)</i>	LCD Graphic	LCD Graphic	60, upgradeable	Mains / Others	6 kg / 2 g - 15 kg / 5 g	7POSPT0LNE __

Characteristics and functionality

Main characteristics

- Weight only or price computing scale for checkout applications.
- Modular and modern design.
- Easy integration into counters.
- ECR / POS connection.
- Optional tempered glass plate. Customizable with client's logo.
- Valid for legal metrology.

Features

- EAN heading programming (according to the communication protocol).
- Tare, fix tare and manual zero.
- Display of price in a secondary currency.
- Energy saving via programmable on and off back lighting switching and automatic disconnection.
- Power supply and communications through one single USB cable.

Capacity / Accuracy

- Multirange (3,000 divisions): 6 kg / 2 g - 15 kg / 5 g.
- Optional:
 - › Monorange (3,000 divisions): 15 kg / 5 g.

Available formats

- Flat.
- Pole.

Construction

- **Structure:**
 - › ABS plastic casing.
- **Displays:**
 - › Easy to install in multiple positions 1 or 2 displays.
 - › Backlit LCD matrix graphic display.
 - › 5 digits (up to H20 mm) per display.
 - › Show only weight or weight, price/kg and total (connected to POS and depending on the communication protocol).
 - › Keypad with 3-keys.
 - › Stainless steel flat plate.

Communication to PC / POS / ECR

- RS-232 interface.
- USB.
- Communication protocols available for the main POS and ECR in the market.
- Multi-protocols: the communication protocol is selected in the scale among the available ones. New protocols can be added from PC by telecharge (maximum: 60 protocols).

Power supply

- Mains: 110/240 VAC through a USB cable with an AC/DC 5 V / 500 mA adapter.
- Others: through a USB cable (PC, etc.).

Options

Option	Characteristics	Reference
Capacity 15 kg / 5 g	Monorange (3,000 divisions).	...N__ (*)
Metrological verification (M)	According to EU weighing directives. (See section on equipment metrological verification).	Consult

(*) The scale references with this capacity are obtained by replacing the last characters of the reference for the standard scale with the indicated ending.

Accessories



Ref: 494834A

Buyer Display for the base

Matrix graphic display.



Ref: 494835A

Buyer Display for the pole

Matrix graphic display.



Ref: 494839A

Tempered glass plate (customizable)

Stainless steel plate also included.

Note:

- The references correspond to standard models: Black ABS plastic casing, backlit LCD segment display, flat stainless steel plate and RS-232 and USB communications. Capacity/Accuracy: 6 kg / 2 g - 15 kg / 2 g.